



FootfallCam Drop Pole

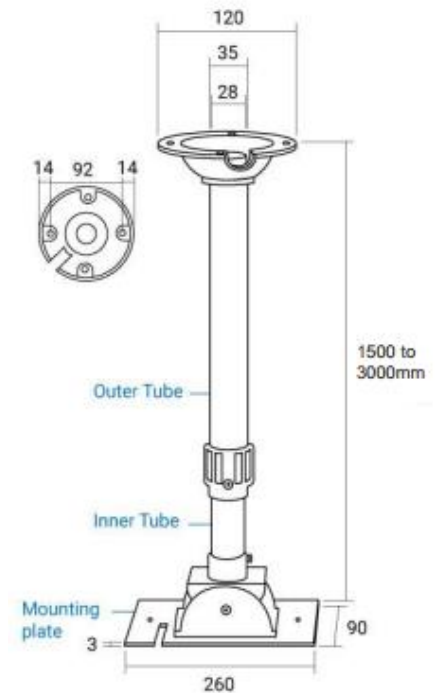
FC-DP02

The FootfallCam Drop Pole allows installation of a FootfallCam device when the ceiling height of the store is outside of the recommended range, and wall bracket is not suitable.

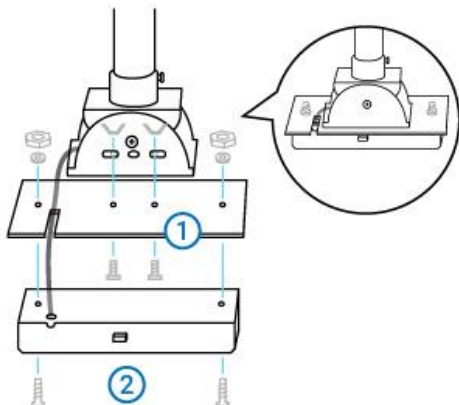
Dimensions

Key Specifications

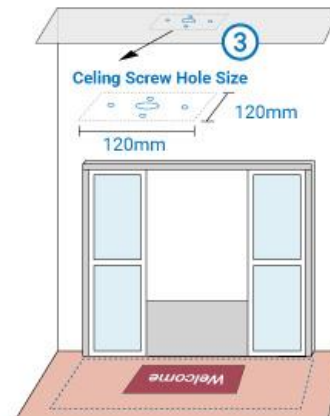
Compatible with	FootfallCam 3D Plus
Maximum Load	1kg
Weight	5.8 kg
Material	Metal
Extension Reach	1.5m to 3m
Environment	Indoor
Ideal Mounting height	4.5m to 7.5m (measure from floor)
Included	FootfallCam Mounting Plate Screwing Kits



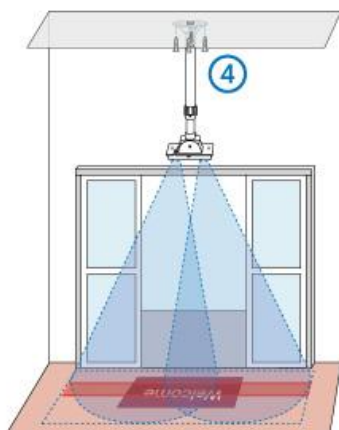
How to Install Drop Pole



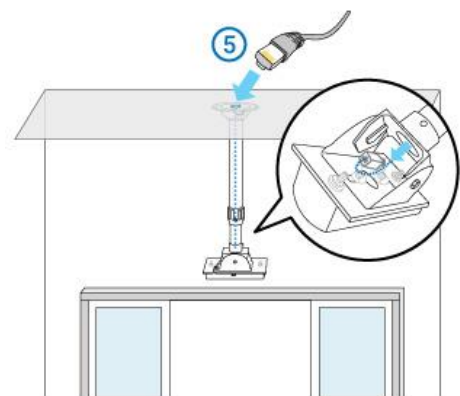
Step 1: Attach the mounting plate to the drop pole using the internal screws, then attach the counter to the mounting plate using the external screws.



Step 2: Determine the mounting location and drill (5) holes for installing the drop pole. The holes should be drilled within (120mm x 120mm)



Step 3: Mount the drop pole onto the ceiling.



Step 4: Connect the Cat5 cable through the tubes of the drop pole.